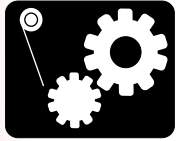




LECSET GENERATOR SETS



BY KLASSEN

Industrial Marine Standby Prime Power

STANDARD ENGINE FEATURES:

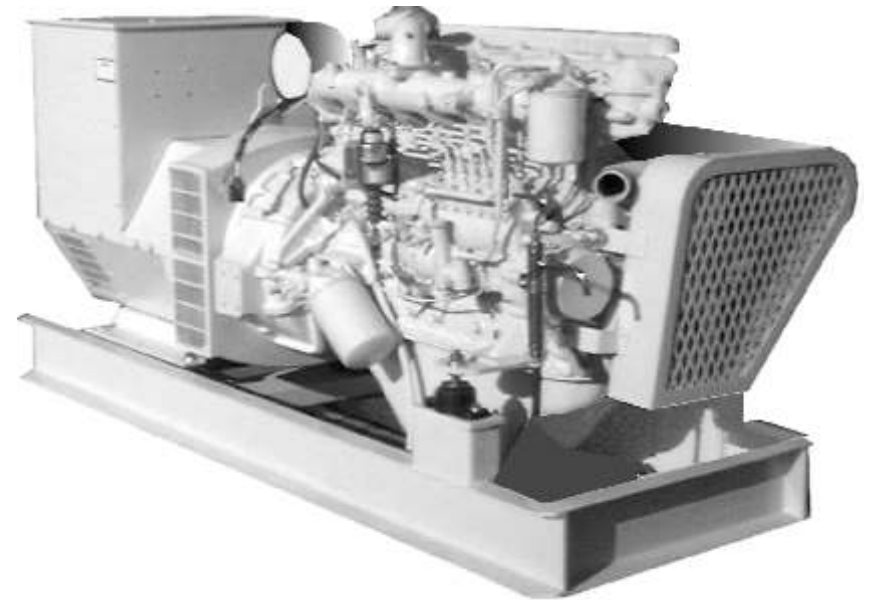
- ✍ 3 year/3000 HR Isuzu diesel engine warranty.
- ✍ Four stroke for quiet performance.
- ✍ Bosch style Fuel System for efficient operation at 1800 RPM.
- ✍ Low oil pressure, high water temperature, automatic shutdown system.
- ✍ Pre-wired plug in instrument panel with DC engine gauges. Includes oil psi, water temp., volt or amp gauge, tach with hour metre, glow plug indicator, key on/off switch.
- ✍ Skid mounted with vibration isolators.
- ✍ Oil change pump or drain line
- ✍ Radiator cooled or set up for marine applications.

OPTIONAL FEATURES:

- ✍ 1200 RPM, 60 HZ & 1500 RPM, 50 HZ governor speed.
- ✍ Sound and weather enclosures
- ✍ AC metre panel and auto starts
- ✍ Skid mounted fuel tanks
- ✍ Main line disconnect breaker
- ✍ Custom and emergency back-up packages available
- ✍ Low water & low oil level shut downs

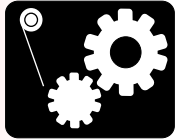
GENERATOR FEATURES:

- ✍ Choice of either Stamford/Newage or Lima/Marathon regulated, brushless type generators with 1 year warranty.
- ✍ Three phase or single phase (3 wire and 2 wire).
- ✍ Motor starting capable generators for starting heavy electric motor loads where space is limited, with or without P.M.G.
- ✍ All generators are rated for heavy duty commercial load applications for years of dependable, maintenance free hours and seasons.





LECSET Generator Dimension Chart



MODEL	2CA1	3CA1	3CB1	3CE1	4LE	4LE1T	4JG1T	4BG1T	4JJ1X	6BG1T	4HK1X	6HK1X	6UZ1X	6WG1X
K.W.	4	6	9	13	15-20	25	35-40	50-60	65	75-98	110	150-175	225	350
A	35"	38"	41"	46"	50"	52"	58"	72"	80"	85"	83"	104"	118"	140"
B	32"	32"	32"	33"	34"	34"	35"	42"	43"	46"	54"	55"	60"	78"
C	21"	21"	21"	21"	23"	23"	27"	31"	34"	31"	35"	40"	50"	58"
Weight (pounds)	550	575	600	660	725	760	1,050	1,700	1,800	2,200	2,500	3,200	4,900	6,400

SIZES REFLECT INDUSTRIAL UNITS, SEE NEXT PAGE FOR MARINE UNITS

Ask Us About Our ISUZU & DOOSAN Powered LECSETS from 6 K.W. to 600 K.W.

Around the world, the Isuzu name has become synonymous with dependable, fuel efficient, maintenance-free diesel power. Since 1961 Klassen has been building reliable generator sets for the major industries on the West coast and around the world.

GENERATOR SET SALES AND SERVICE SINCE 1961

SEATTLE - Klassen Engine Company

1538 N.W. 50th Street, Seattle, WA 98107

Toll Free: 888-784-0148 / Tel: (206) 784-0148 / Fax(206) 783-6811

seattle@klassenengine.com

VANCOUVER - Klassen Diesel Sales Ltd.

#101-7187 Progress Way, Delta, BC Canada, V4G1K8

Toll Free: 866-940-6400 / Tel: (604) 940-6400 / Fax (604) 940-6500

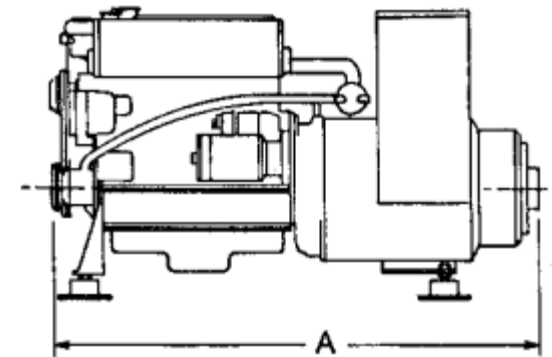
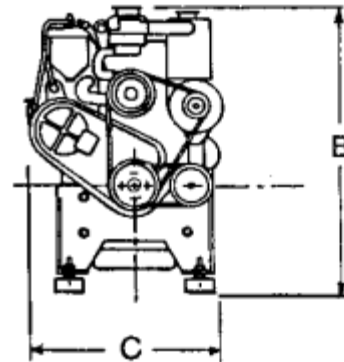
delta@klassenengine.com

VICTORIA - Klassen Diesel Sales Ltd.

6701 Oldfield Road, Saanichton, BC Canada, V8M 2A1

Tel/Fax (250) 652-6655

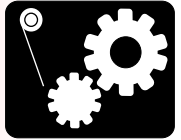
victoria@klassenengine.com



*All sizes and weights subject to change without notice



LECSET Generator Dimension Chart



MODEL	2CA1	3CA1	3CB1	3CE1	4LE	4LE1T	4JG1T	4BG1T		6BG1T
K.W.	4	6	9	13	15-20	25	35-40	50-60		75-98
A	30"	33	35"	38"	46"	48"	55"	64"		78"
B	25"	26"	26"	27"	30"	32"	35"	38"		38"
C	21"	21"	21"	21"	23"	23"	27"	31"		31"
EXHAUST DIAMETER	1"	1"	1.25"	1.5"	2"	2"	2.5"	3"		4"
Weight (pounds)	410	450	500	540	675	710	1,000	1,700		2,000

MARINE UNITS

Ask Us About Our ISUZU & DOOSAN Powered LECSETS from 6 K.W. to 600 K.W.

Around the world, the Isuzu name has become synonymous with dependable, fuel efficient, maintenance-free diesel power. Since 1961 Klassen has been building reliable generator sets for the major industries on the West coast and around the world.

GENERATOR SET SALES AND SERVICE SINCE 1961

SEATTLE - Klassen Engine Company

1538 N.W. 50th Street, Seattle, WA 98107

Toll Free: 888-784-0148 / Tel: (206) 784-0148 / Fax(206) 783-6811

seattle@klassenengine.com

VANCOUVER - Klassen Diesel Sales Ltd.

#101-7187 Progress Way, Delta, BC Canada, V4G1K8

Toll Free: 866-940-6400 / Tel: (604) 940-6400 / Fax (604) 940-6500

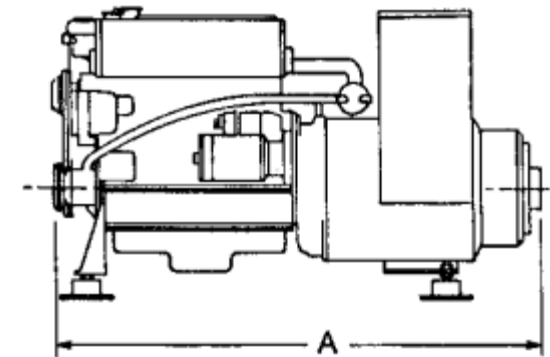
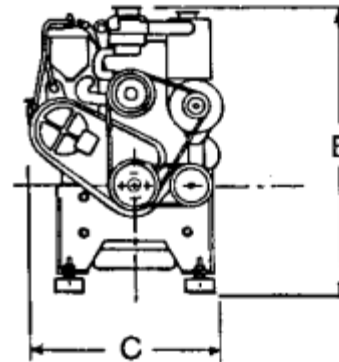
delta@klassenengine.com

VICTORIA - Klassen Diesel Sales Ltd.

6701 Oldfield Road, Saanichton, BC Canada, V8M 2A1

Tel/Fax (250) 652-6655

victoria@klassenengine.com



*All sizes and weights subject to change without notice