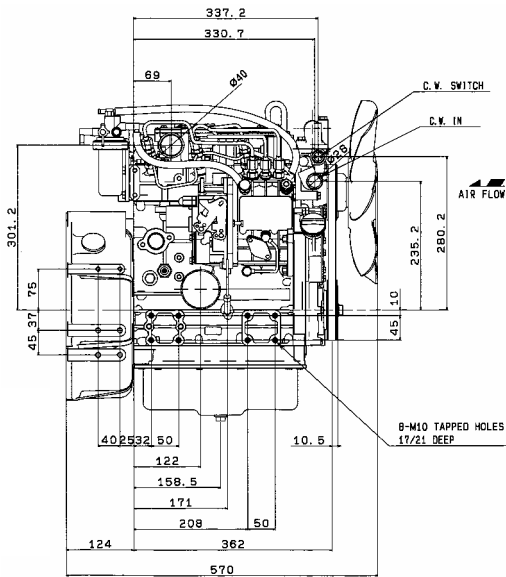


ISUZU 3CB1

25.1 Horsepower
Industrial Diesel



MAIN SPECIFICATIONS

Type	3 Cylinder, 4 Cycle, Water Cooled, OHV, In- Line, Indirect Injection
Bore & Stroke	2.99 x 3.23 in. (76mm x 82mm)
Engine Displacement	1.1 L
Compression Ratio	23.5:1
Dry Weight	258 lb. (117 kg)
Dimensions (L x W x H)	22.4 x 17.4 x 23.0 in. (570 x 443 x 585 mm)
Coolant Capacity	0.95 qt. (0.9L)
Lube Oil Capacity	3.59 qt. (3.4 L) (less filter)

MAIN FEATURES

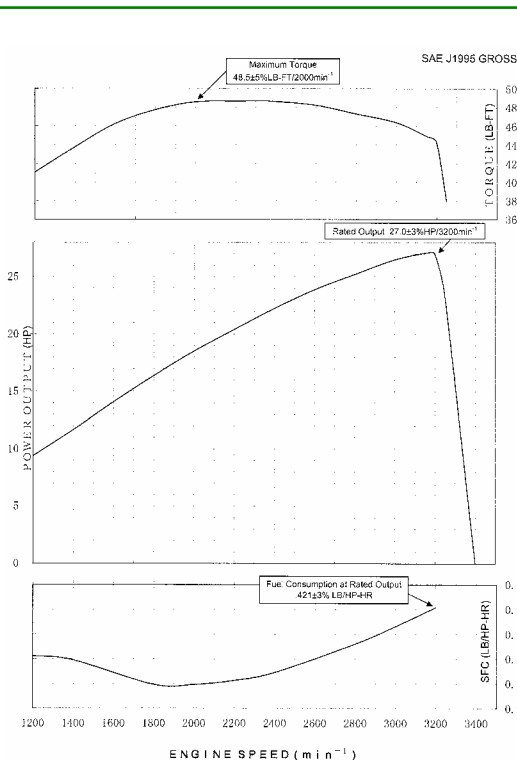
Alternator	12V – 40A
Voltage Regulator	Internal
Starter	12V – 1.1kW
Exhaust Outlet	Upward
Air Inlet	Sideward
Flywheel Housing	SAE #5 Type
Flywheel	SAE Type for 7.5"
Oil Pan	30° Inclination All Directions
Fan	13.19 in. (335mm) Suction

INDUSTRIAL RATING*

Rated Output	25.1 BHP @ 3200 RPM
Max Torque	47 lb. ft. @ 2300 RPM

*SAE J1995 Gross BHP

Specifications subject to change without notice.



ISUZU MOTORS AMERICA, INC.
PowerTrain Division

ISUZU
DIESEL

46401 Commerce Center Drive • Plymouth, MI 48170
PHONE: 734.582.9470 • FAX: 734.455.7581
www.isuzuengines.com